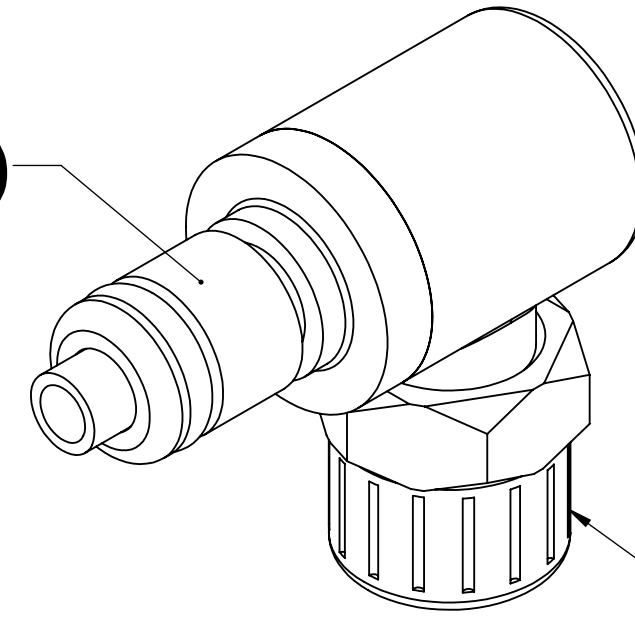


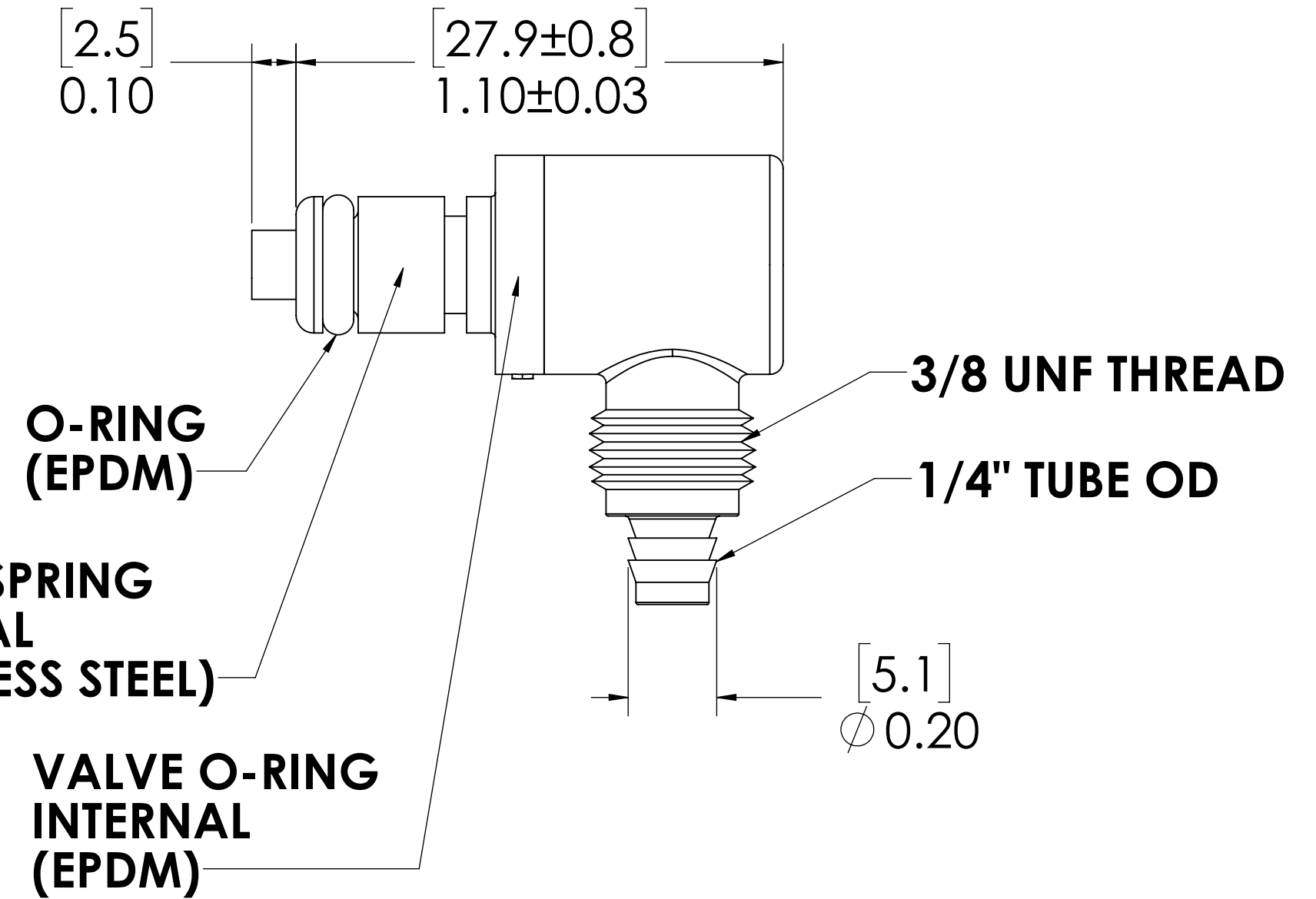
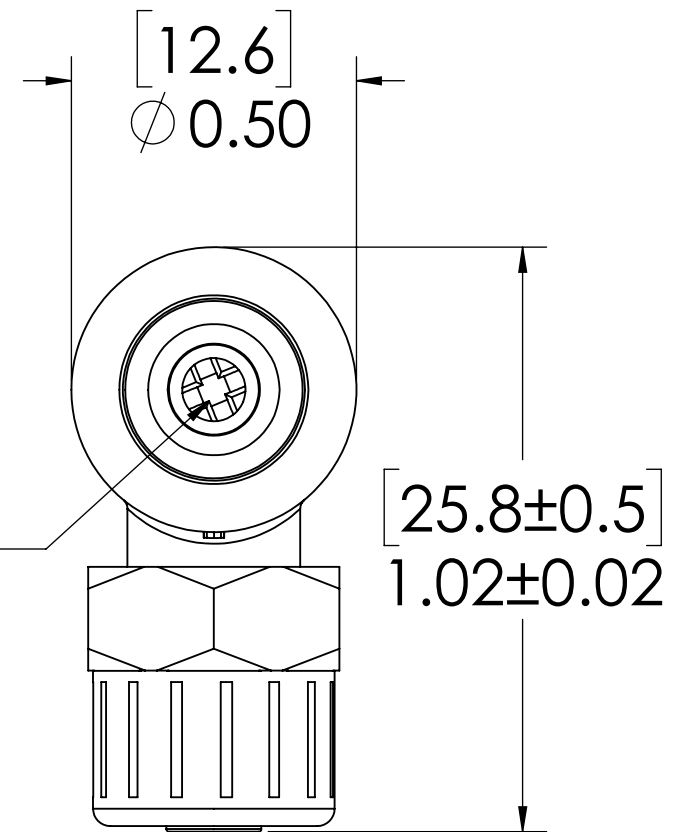
REVISIONS						
SHEET	ZONE	REV.	ECO	DESCRIPTION	DATE	APPROVED
1	ALL	A	50281	FORMAT UPDATE	10/14/2019	HRC

**PLUG  
(POLYPROPYLENE)**



**PTF NUT  
(BRASS, NICKEL PLATED)  
(PACKAGED SEPARATELY)**

**VALVE  
(POLYPROPYLENE)**



**VALVE SPRING  
INTERNAL  
(STAINLESS STEEL)**

**VALVE O-RING  
INTERNAL  
(EPDM)**

**3/8 UNF THREAD**

**1/4\" TUBE OD**

**5.1  
Ø 0.20**

**NOTES:**

1. MATERIAL: POLYPROPYLENE
2. COLOR: GREY
3. O-RING MATERIAL: EPDM
4. O-RINGS LUBRICATED WITH FOOD GRADE SILICONE OIL, 350 CST.

**FOR REFERENCE ONLY**

<small>UNLESS OTHERWISE SPECIFIED: DIMENSIONS ARE IN INCHES TOLERANCES: FRACTIONAL ± 1/32 ANGULAR: MACH ± 0.5 BEND ± 2 ONE PLACE DECIMAL ± 0.1 TWO PLACE DECIMAL ± 0.01 THREE PLACE DECIMAL ± 0.005 TWO PLACE DUAL (mm) [± 0.12]</small>	DRAWN	RDA	9/6/2019	
	CHECKED	HRC	9/6/2019	
	ENG APPR.	HRC	10/14/19	
	MFG APPR.	BDB	10/14/19	
<small>PROPRIETARY AND CONFIDENTIAL</small>	Q.A.	LS	10/14/19	<b>PART NO: 20PPV-PE10-04</b> <b>DESCRIPTION: LinkTech 20PP Series Elbow Male, Valved, 1/4\" PTF, Molded Grey Color, Polypropylene</b>
<small>THE INFORMATION CONTAINED IN THIS DRAWING IS THE SOLE PROPERTY OF LINKTECH LLC. ANY REPRODUCTION OR DISCLOSURE IN PART OR AS A WHOLE WITHOUT THE WRITTEN PERMISSION OF LINKTECH LLC IS STRICTLY PROHIBITED.</small>	COMMENTS:			<b>SIZE DWG. NO. REV</b> <b>C 20PP200099 A</b>
SCALE: NTS		WEIGHT:		SHEET 1 OF 1